

HYGROPALM HP31/HP32



HP31 with fixed probe

HP32 with HC2A probe

BENEFITS

- Measures relative humidity and temperature and perform psychrometric calculations
- Visual and audible alarms
- Graphic display for saved data
- 64'000 data points memory with programmable logging interval
- Long-life rechargeable battery (up to 48 hours at a logging interval of 30 seconds)

APPLICATIONS

- Field inspection and spot checks in HVAC
- Building management systems
- Agriculture and food industry
- Pharmaceutical industry



TECHNICAL INFORMATION

Compatible with

- For HP 32: All HC2 and HC2A probes (except HC2-LDP)
- HW4 software > V3.9

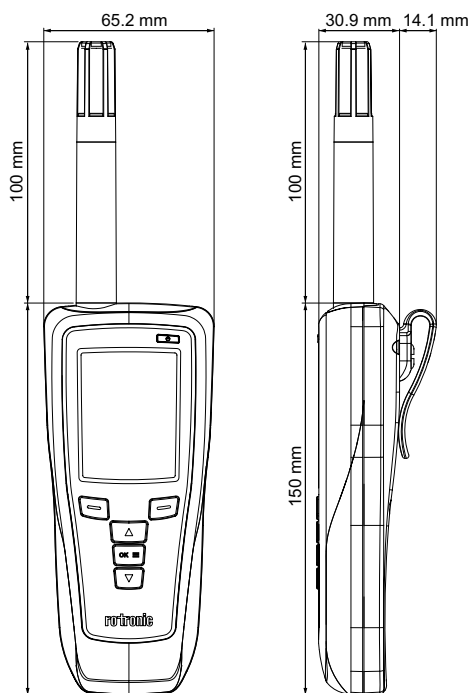
Package content

- HygroPalm HP31 or HP32 (without probe)
- Soft case
- Micro-USB cable (computer connection and battery charging)
- HW4 LITE no license key needed (max. 3 instruments connected)

General specifications		
Order code	HP31	HP32
Device type	Handheld device (%RH / °C)	
Compatible probes (HP32)	Fixed probe	All HC2A and HC2 probes (except HC2-LDP)
Application range	-10...60 °C 0...100 %RH (non-cond.)	
Storage range	-10...45 °C 10...90 %RH	
Probe application range	-10...60 °C 0...100 %RH (non-cond.)	Depends on probe
Functions	Spot measurements Programmable logging interval MIN / MAX / AVG	

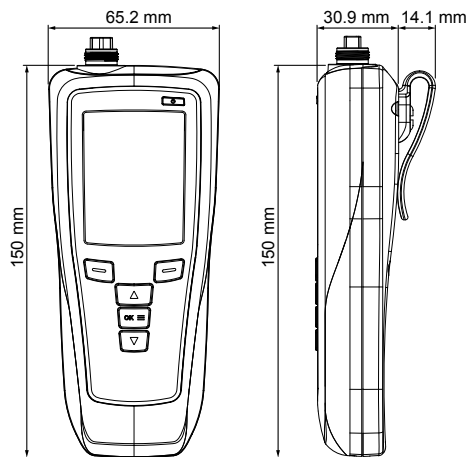
General specifications		
Order code	HP31	HP32
Accuracy @ 23°C	±2 %rH / ±0.3 °C	Depends on probe
Logging interval	1 s...24 h	
Memory capacity	8 x 8000 data points	
Psychrometric calculations	Dew / Frost point (Dp / Fp) Wet bulb temperature (Tw) Enthalpy (H) Vapor concentration (Dv) Specific humidity (Q) Mixing ratio by weight (R) Vapor pressure (E) Saturation vapor pressure (Ew) Saturation vapor density (SVD)	
Calculation method	WMO Standard	
Display refresh rate	1 s (typical)	
Integrated battery	Lithium polymer, 3.7 V, 1000 mAh 48 h – Logging every 30 s, screen off 10 h – Screen always on	
PC interface	Micro-USB port, HW4 compatible > V3.9	
Housing / Mechanics		
Enclosure material	ABS, TPR	
IP protection class	IP65	
Dimensions	160 x 63 x 30 mm	
Weight	185 g	

Dimensions HP31



Dimensions HP32

All HC2A and HC2 probes (except HC2-LDP)



POSSIBLE PROBES FOR THE HP32

STANDARD AND HIGH PRECISION PROBES

Accuracy (Standard):	$\pm 0.8\%RH, \pm 0.1\text{ K at } 10...30\text{ }^\circ\text{C}$
Accuracy (High Precision):	$\pm 0.5\%RH$ at $10...90\%RH, \pm 0.1\text{ K}$ at $10...30\text{ }^\circ\text{C}$
Application range:	$-50...100\text{ }^\circ\text{C}, 0...100\%RH$
Long-term stability:	$< 1\%RH / \text{year}$
Order code:	HC2A-S (Standard) HC2A-SH (High Precision)



HIGH TEMPERATURE HANDHELD PROBE

Accuracy:	$\pm 0.8\%RH, \pm 0.2\text{ K at } 10...30\text{ }^\circ\text{C}$
Application range:	$-100...200\text{ }^\circ\text{C}, 0...100\%RH$
Long-term stability:	$< 1\%RH / \text{year}$
Cable length:	2 m
Order code:	HC2-HK25



INSERTION PROBES

Accuracy:	$\pm 0.8/1.5\%RH, \pm 0.1/0.3\text{ K}$ at $10...30\text{ }^\circ\text{C}$
Application range:	$-40...85\text{ }^\circ\text{C} / 0...100\%RH$
Long-term stability:	$< 1\%RH / \text{year}$
Cable length:	2 m
Order code:	HC2-P05, HC2-P28, HC2-P50



HP32 PRODUCT SETS

HP32-S-SET

Consisting of:

- 1x HP32 handheld instrument
- 1x HC2A-S Standard probe

Order code: HP32-S-SET



HP32-SET

Consisting of:

- 1x HP32 handheld instrument
- 1x HC2A-S Standard probe
- 1x E2-02A extension cable 2 m
- 1x ER-15 calibration device
- 1x EA35-SCS humidity standard SCS

Order code: HP32-SET



HP32-A-REF-SET

Consisting of:

- 1x HP32 handheld instrument
- 1x HC2A-S Standard probe with 1x SCS-1T-3H
- 1x E2-02A extension cable 2 m

Order code: HP32-A-REF-SET



POSSIBLE SOFTWARE FOR THE HP32

HW4-LITE

- Free license included with the device
- Visualization, data export and evaluation of measured values
- **A maximum of 3 instruments can be connected simultaneously**

Order code: HW4-LITE

HW4-STANDARD

- Single-user application license
- Visualization of multiple loggers and measured values
- Monitoring (one instrument at a time), data logger programming, data retrieval, scaling, instrument settings, alarm function, service and configuration tool for Rotronic instruments, time synchronization, adjustment and calibration of Rotronic probes
- No password protection

Order code: HW4-E-V3-Code

HW4-PROFESSIONAL

- Network applications in the pharmaceutical and food industries
- All functions of the Standard edition
- Multiple-user applications license (same site)
- Fulfills the requirements for electronic data records and signatures (FDA21 CFR Part 11, Annex 11)
- Grouping of devices, graph overlays, printing of reports

Order code: HW4-P-V3-Code

An up-to-date overview of our extensive range of accessories such as probes, cables, filters, sets, software and calibration equipment compatible with the HygroPalm HP32 is available on our web site: www.rotronic.com.